

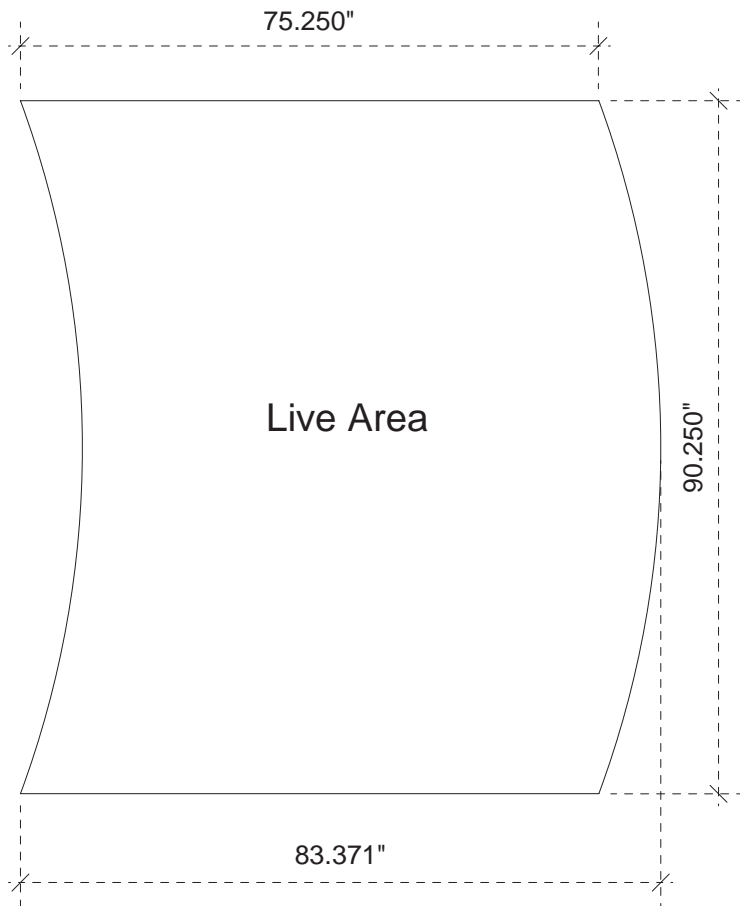
## VK-1038a Graphic Dimensions

Tension Fabric Backwall

QTY: 1

Please ADD 1" of bleed to all 4 sides

1/2" Hook Velcro needs to be sewn into all 4 FRONT sides.



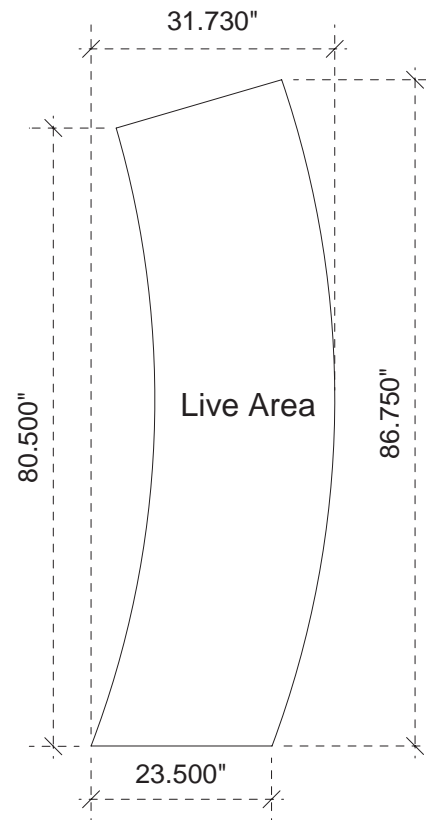
Circle Radius: 130.2281"

Tension Fabric Side Graphic

QTY: 1

Please ADD 1" of bleed to all 4 sides

1/2" Hook Velcro needs to be sewn into all 4 FRONT sides.

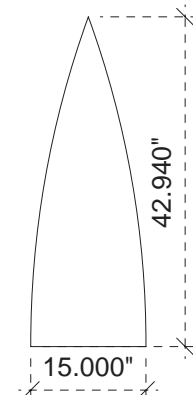
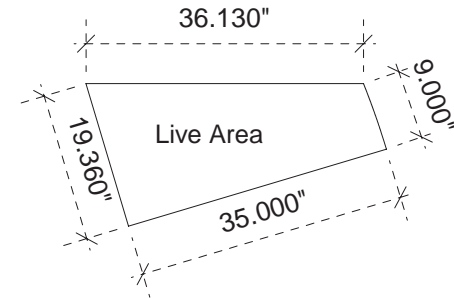


Tension Fabric Header

QTY: 1

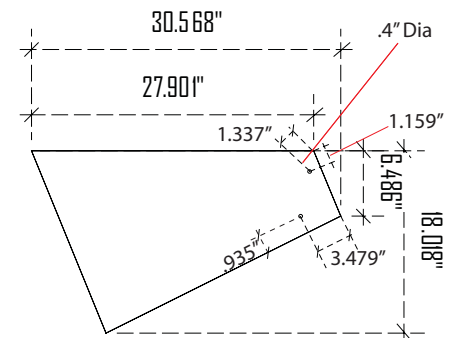
Please ADD 1" of bleed to all 4 sides

1/2" Hook Velcro needs to be sewn into all 4 FRONT sides.



Sintra Wing  
QTY: 2

Custom Pedestal Sign  
Graphic Printed on 1/4" Sintra  
QTY: 1



**NOTE: These dimensions are for graphic layout purposes. Graphic needs to be cut and test fitted to Magellen frame for exact sizes and cuts.**